



AA-14E

11" ANGLE REFLECTOR



AA14E-200W Incandescent

AA14E-13CF PL13

AA14E-18CF PL18

AA14E-26CF PL26

AA14E-32CF PL32

AA14E-42CF PL42

AA14E-35-150W HPS or MH

AA14E-34W LED LED 120-277V

COVER NUT. Die cast aluminum with 1/2" N.P.T. or 3/4" N.P.T. accepts conduit pipe or cord strain relief.

SOCKET. Two-piece heavy duty ceramic medium base socket.

SHADE. Heavy gauge cold rolled steel and coated with genuine powder or electro plating. Galvanized finish is hot zinc dip. (Also available in solid copper)

ACCESSORIES AND OTHER OPTIONS

Wire guard, globe & guard

13W - 32W Fluorescent 120V (ballast mounted inside the neck, globe option is required for outdoor use)

35 to 100W High pressure sodium (remote ballast, globe option is required for outdoor use)

35 to 150W Metal halide (remote ballast, globe option is required or use MP rated lamp for open fixture)

34W LED 120-277V

FINISHES

White = 0

Blue = 2

Green = 3

Dark Bronze = 4

Yellow = 5

Red = 6

Galvanized = 8

Painted Chrome = 10

Satin Copper = 11

Satin Nickel = 12

Painted Copper = 15

Unfinished = 22

(for custom colors please contact us)

MUST BE INSTALLED BY A QUALIFIED ELECTRICIAN

ETL LISTED FOR WET LOCATION



0 = White



1 = Black



2 = Blue



3 = Green



4 = DK Bronze



5 = Yellow



6 = Red



8 = Galvanized



15 = Painted Copper



12 = Satin Nickel



21 = Solid Brass



10 = Chrome



AA-14E ANGLED REFLECTOR

When You Choose Ark You Choose Quality



Ideal for store fronts, restaurants and other public places. Available in a variety of sizes, finishes, mounting options, light sources and with a large selection of accessories.

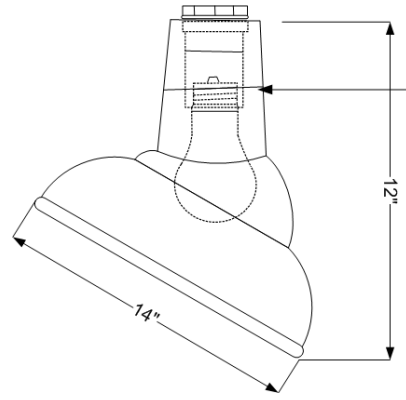
Materials - Fixtures spun of 18-gage cold-rolled steel and powder coated for a durable high-end finish.

Voltage - See Voltages Below or Contact us For Custom Options

Socket - #30 Medium Base Porcelain Socket (Standard)

Warranty - 1 Year Full Warranty

Listing - All Fixtures are UL or ETL Approved



Fixture Type	Incandescent Max Watt	Integral Fluorescent Max Watt	Remote Fluorescent Max Watt	HPS or MH Max Watt	LED Max Watt	Height (")	Diameter (")	Weight (lbs)
AA-14E	200	42	42	150	35	12"	14"	6.5

Rated Wattage	Light Source / Voltage	Remote or Integral Ballast	Indoor or Outdoor	Finish	Cord	Mounting	Globe & Guard Options	Additional Accessories	
Incandecce									
Comes with 1/2" #30 Medium Base Socket (see Sockets for Specifications) 120V									
Compact Fluorescent = CF									
13 18 26 32 42	INT = Integral Ballast (120V) REM = Remote Ballast (120-277V)								
High Pressure Sodium = HPS									
35 50 70 100 150	Remote Ballast Required 35W = 120V 50W-150W = 120/208/240/277V (MT)	Indoor = SCE Outdoor = RTE (for Remote Ballasts)		White = 0 Black = 1 Blue = 2 Green = 3 Dark Bronze = 4 Yellow = 5 Red = 6 Galvanized = 8		Stem Mount: Choose 4' of Factory Pre-Wired Leads for Use With 1/2" Stem or 3/4" Gooseneck Mounting in Wet & Indoor Locations (WL = Wire Leads)		Most Popular: AGB-101 (see Mounting Options for Stem and Gooseneck Specifications) *Custom Bends Available *12=1/2" Hub 34= 3/4" Hub * ACN009 or ACN004 Mounting Hardware Included With Purchase of Gooseneck or Stem	
LED									
12 15 20 35	3K 4K 6K	For Outdoor a Globe is Required (see Globes & Guards)		Painted Chrome = 10 Satin Copper= 11 Satin Nickel = 12 Painted Copper=15 Unfinished=22 (for custom colors please contact us)				Wireguards: AG-114 Colored Cap: ACC-002	
Metal Halide = MH									
Globe Required (see Globes and Guards for Options and Accessories) Remote Ballast Required 50W-150W = 120/208/240/277V (MT)									
50 70 100 150 150	The 50W Metal Halide option can be with a MP Socket or Medium Base Socket MP = Open Rated (No Globe Allowed) Medium Base (Globe Required) The 70W - 150W Metal Halide options are with MP Socket Only							Standard Clear Globe & Guard = AVX100GL or AVX200GL Standard Clear Globe & Guard = AVX100DG or AVX200DG (AVX200 for 42PL, 50MH, 70HPS, 100HPS, 150HPS) (see Globes and Guards for Globe Colors and Specifications)	

Sample Order	Fixture	Ballast	Indoor / Outdoor	Finish	Cord	Mounting	Globe/Guard	Accessories
	AA-14E	42CF-REM	RTE	WH	WL	AGB-101	AVX-100DG	