



# ALB11-AL116

## LOW BAY 16" ALUMINUM REFLECTOR

### APPLICATIONS

FOR OVER 20' FOOT APPLICATIONS , FACTORIES, MACHINES SHOPS WAREHOUSE, SPORTS ARENA AND LARGE RETAIL STORES.

### SPECIFICATION FEATURE

**UL LISTED** FOR DAMP LOCATIONS

**BALLAST HOUSING.** HEAVY DUTY DIE-CAST ALUMINUM CONSTRUCTION , WHITE POWDER COAT FINISH

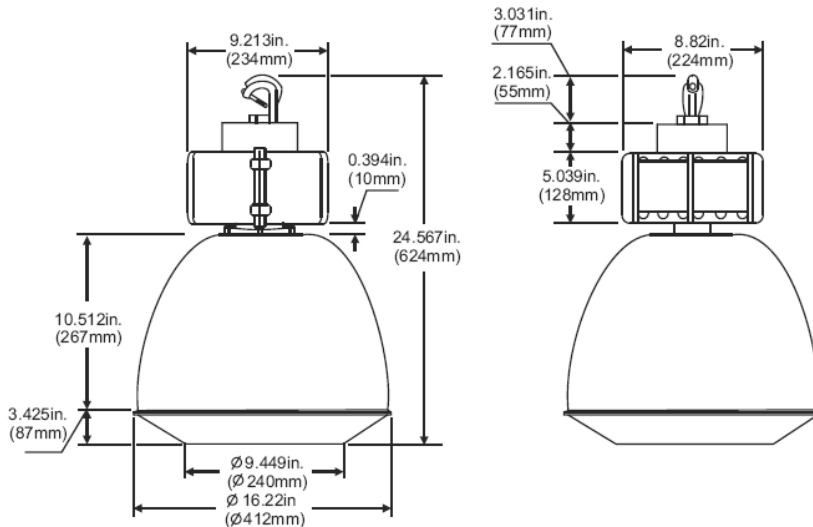
**SOCKET.** PORCELAIN MOGUL BASE SOCKET-E39 STANDARD ,UL APPROVED

**MOUNTING** COMES WITH A HOOK FOR EASY MOUNTING , A 3/4" THREADED TOP OPENING TO A STEEL JUNCTION BOX FOR EXTEND PIPE OR A 3' CORD PLUG (ORDERED SEPARATELY)

**BALLAST** HIGH POWER FACTOR 60Hz BALLAST MULTI VOLTAGE 120/208/240/277V (CAN BE ORDER IN 480V OR PULSE-START METAL HALIDE)

**REFRACTORS-** 16" ADJUSTABLE ALUMINUM

**WATTS MAX** IDEAL FOR 100-400 MH OR 100-400 HPS



FIXTURE PREFIX	WATTAGE	LIGHT	VOLTAGE	REFLECTOR	ACCESSORIES & OPTION
ALB11	100	MH=METAL HALIDE	MT=120/208/240/277V	AR122=22" ACRYLIC	DL=DROP LENS
	175	MH=METAL HALIDE	480=480V	AR116=16" ACRYLIC	FL=FLAT LENS
	250	MH=METAL HALIDE		AL122=22" ALUMINUM	CL=CONICAL LENS
	320	MH=METAL HALIDE PS		AL116=16" ALUMINUM	WG=WIRE GUARD
	400	MH=METAL HALIDE			A16310P-120=10' CORD NEMA 5-15P
	100	HPS=HIGH PRES SODIUM			A16330P-120=3' CORD NEMA 5-15P
	150	HPS=HIGH PRES SODIUM			A16333P-240= 3' CORD NEMA L6-15
	250	HPS=HIGH PRES SODIUM			A1633P-277 3' CORD NEMA L715P
	400	HPS=HIGH PRES SODIUM			APP-03=RIGID 3/4" DIA STEM
					QRS=120V RESTRIKE SOC & LAMP

