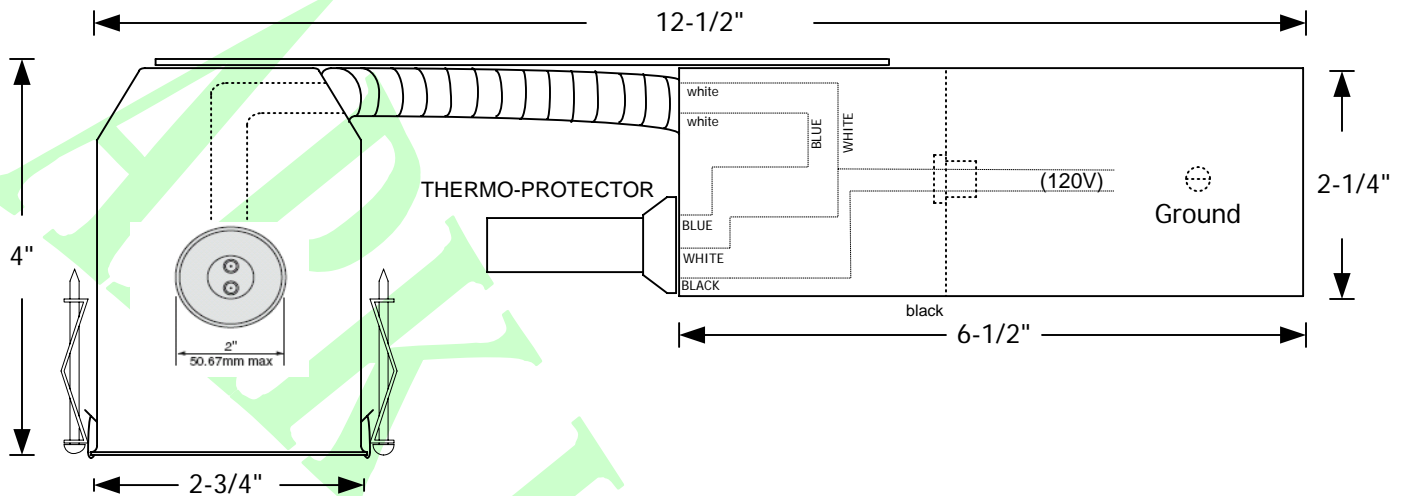




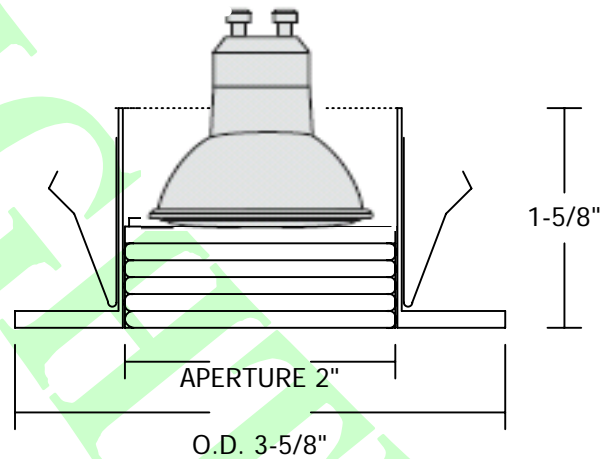
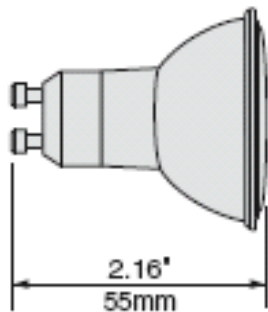
ARLV5000T/120V & 4010 TRIM

4" High Remodel Housing non IC. Line Voltage-No Transformers needed



NOTE:
 REMOVE (2) SIDE CLIPS IF USING WITH APRF-1, THEN USE (2) METAL SCREW [included in separate bag] TO HOLD THE HOUSING IN PLACE
 Available in-50w, narrow Flood and Wide Flood beam spreads

4010 TRIM



Material: Aluminum
 Wattage: 50W Max.
 Trims Used: ARLV4010
 Accessories: APRF-1 (for new construction)

3" clearance all around and above is required when installed

ETL APPROVED FOR DAMP LOCATION

