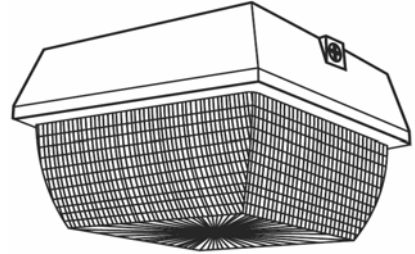
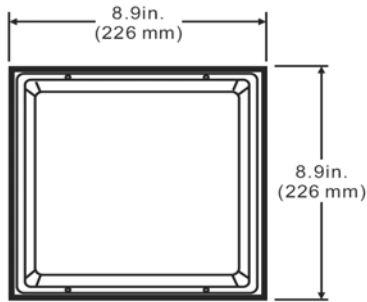
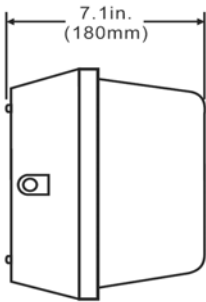




## ASM-09 CEILING MOUNT



### PRODUCT FEATURES

- \* UL LISTED FOR WET LOCATIONS
- \* HEAVY DUTY DIE-CAST ALUMINUM HOUSING WITH HIGH IMPACT / HEAT RESISTANT BOROSILICATE GLASS FOR ULTIMATE LIGHT DISTRIBUTION
- \* HIGH IMPACT POLYCARBONATE LENS
- \* DARK BRONZE COLOR
- \* POWDER COATED FINISH ON THE HOUSING
- \* SILICONE RUBBER INCLUDED TO PREVENT LEAKAGE
- \* 1/2" TAPPED HOLES AVAILABLE FOR INSTALLING PHOTOCELL (PHOTOCELL OPTIONAL)
- \* ONE PIECE ANODIZED ALUMINUM DESIGNED REFLECTOR FOR BEST LIGHT EFFICIENCY



IDEAL FOR PARKING AREAS,  
ENTRANCES, WALKWAYS,  
UNDERPASSES, LOADING DOCKS,  
RECREATION AREAS.

\* IDEAL FOR 70MH WATTS, & 100HPS WATTS & 1PL 42W OR 2PL 26WMAX

| CATALOG #   | RATING                                  | LAMPS        | DIMENSIONS               |
|-------------|---|--------------|--------------------------|
| ASM09-MH    | 70W MAX 120V ONLY<br>(SPECIFY WATTAGE)  | METAL HALIDE | 8.9" W X 8.9" H X 7.1" D |
| ASM09-HPS   | 100W MAX 120V ONLY<br>(SPECIFY WATTAGE) | H.P.S        | 8.9" W X 8.9" H X 7.1" D |
| ASM09-2PL26 | 2PL 26W                                 | PL26         | 8.9" W X 8.9" H X 7.1" D |
| ASM09-1PL42 | 1PL 42W                                 | PL42         | 8.9" W X 8.9" H X 7.1" D |



1435 West 139TH Street Gardena, CA 90249 Tel: 310-323-2275 Fax: 310-323-6275

Website: [www.arklighting.com](http://www.arklighting.com) Email: [info@arklighting.com](mailto:info@arklighting.com)