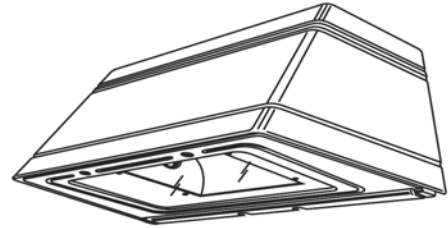
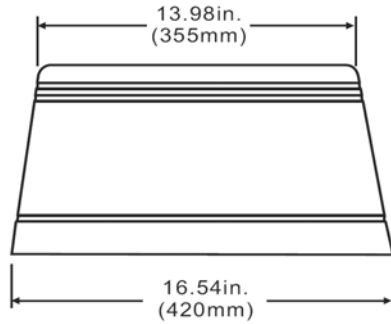
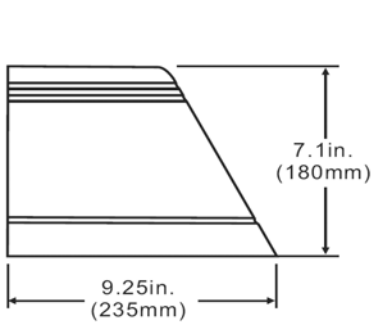




# ASM-301 TRAPEZOID WALL MOUNT

**GOOD FOR DARK SKY**



IDEAL FOR PARKING AREAS,  
ENTRANCES, WALKWAYS,  
UNDERPASSES, LOADING DOCKS,  
RECREATION AREAS.

## PRODUCT FEATURES

- \* UL LISTED FOR WET LOCATIONS
- \* HEAVY DUTY DIE-CAST ALUMINUM HOUSING WITH HIGH IMPACT / HEAT RESISTANT BOROSILICATE GLASS FOR ULTIMATE LIGHT DISTRIBUTION
- \* BOROSILICATE GLASS IS HINGED AND REINFORCED
- \* DARK BRONZE COLOR
- \* POWDER COATED FINISH ON THE HOUSING
- \* SILICONE RUBBER INCLUDED TO PREVENT WATER INTRUSION
- \* 1/2" TAPPED HOLES AVAILABLE FOR INSTALLING PHOTOCELL (PHOTOCELL OPTIONAL)
- \* ONE PIECE ANODIZED ALUMINUM DESIGNED REFLECTOR FOR BEST LIGHT EFFICIENCY
- \* IDEAL FOR 175MH WATTS, & 150HPS WATTS & 2PL 42W MAX

CATALOG #	RATING	LAMPS	DIMENSIONS
ASM301-MH	1750W MAX ( SPECIFY WATTAGE)	METAL HALIDE	16.54" W X 7.1" H X 9.25" D
ASM301-HPS	150W MAX ( SPECIFY WATTAGE)	H.P.S	15.8" W X 15.8" H X 7.36" D
ASM301-2PL42	2PL 42W	PL42	15.8" W X 15.8" H X 7.36" D



1435 West 139TH Street Gardena, CA 90249 Tel: 310-323-2275 Fax: 310-323-6275

Website: [www.arklighting.com](http://www.arklighting.com) Email: [info@arklighting.com](mailto:info@arklighting.com)