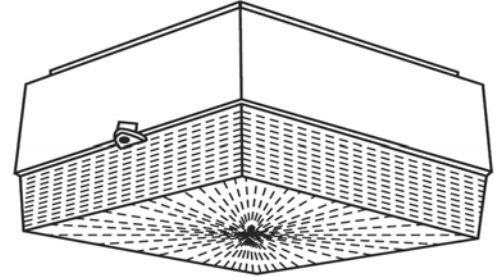
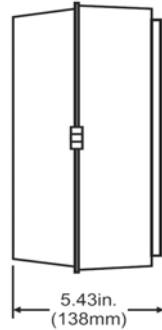
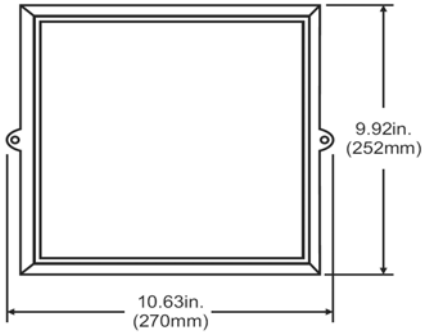




ASM-354 CEILING MOUNT



PRODUCT FEATURES

- * UL LISTED FOR WET LOCATIONS
- * ONE PIECE ANODIZED ALUMINUM DESIGNED REFLECTOR FOR BEST LIGHT EFFICIENCY
- * HIGH IMPACT POLYCARBONATE LENS
- * DARK BRONZE COLOR
- * POWDER COATED FINISH ON THE HOUSING
- * SILICONE RUBBER INCLUDED TO PREVENT LEAKAGE
- * IDEAL FOR 50MH WATTS, 70HPS WATTS MAX OR 1 X PL42

IDEAL FOR PARKING AREAS,
ENTRANCES, WALKWAYS,
UNDERPASSES, LOADING DOCKS,
RECREATION AREAS.

CATALOG #	RATING	LAMPS	DIMENSIONS
ASM354-MH	50W MAX MT(SPECIFY WATTAGE)	METAL HALIDE	10.63" W X 9.92" H X 5.43" D
ASM354-HPS	70W MAX MT(SPECIFY WATTAGE)	H.P.S	10.63" W X 9.92" H X 5.43" D
ASM354-2PL42	1PL42 (42W MAX 120 OR 277V)	1PL42	10.63" W X 9.92" H X 5.43" D



1435 West 139TH Street Gardena, CA 90249 Tel: 310-323-2275 Fax: 310-323-6275

Website: www.arklighting.com Email: info@arklighting.com