



AY-2

10" RING LAMPS 150W MAX

AY2

AY2-150W Incandescent

AY21-13CF-120

AY2-26CF-120

AY2-32CF-120

AY2-35-50W MH 120 (REMOTE BALLAST)

AY2-15W LED (REMOTE BALLAST)

COVER NUT. Die cast aluminum with 1/2" N.P.T. or 3/4" N.P.T. accepts conduit pipe or cord strain relief.

SOCKET. Two-piece heavy duty ceramic medium base socket.

SHADE. Heavy gauge cold rolled steel and coated with genuine powder or electro plating. Galvanized finish is hot zinc dip. (Also available in solid copper)



ACCESSORIES AND OTHER OPTIONS

Bottom lens or globes & Guard

26W, 32W, 120 or 277V Fluorescent (ballast mounted inside the neck, globe or lens option is required for outdoor use)

35 to 50W High pressure sodium (ballast mounted inside the neck, globe or lens option is required for outdoor use)

35 to 50W Metal halide (ballast mounted inside the neck, globe or lens required or use MP rated lamp for open fixture)

NOTE: 42W CF, 70W HPS, 70W MH option must use large globe



FINISHES

White = 0

Blue = 2

Green = 3

Dark Bronze = 4

Yellow = 5

Red = 6

Galvanized = 8

Painted Chrome = 10

Satin Copper = 11

Satin Nickel = 12

Painted Copper = 15

Unfinished = 22

(for custom colors please contact us)

MUST BE INSTALLED BY A QUALIFIED ELECTRICIAN

ETL LISTED FOR WET LOCATION



1435 West 139TH Street Gardena, CA 90249 Tel: 310-323-2275 Fax: 310-323-6275

Website :www.arklighting.com Email :info@arklighting.com

AY-2



When You Choose Ark You Choose Quality

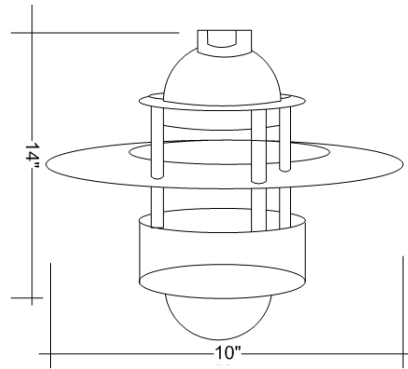
Ideal for store fronts, restaurants, above counter, loft style designs and various other public and industrial style locations. Available in a variety of sizes, finishes, mounting options, light sources and with a large selection of accessories.

Materials - Fixtures spun of 18-gage cold-rolled steel and powder coated for a durable high-end finish.

Voltage - See Voltages Below or Contact us For Custom Options **Socket** - #30 Medium Base Porcelain Socket (Standard)

Warranty - 1 Year Full Warranty

Listing - All Fixtures are UL or ETL Approved



Fixture Type	Incandescent Max Watt	Integral Fluorescent Max Watt	Remote Fluorescent Max Watt	HPS or MH Max Watt	LED Max Watt	Height (")	Diameter (")	Weight (lbs)
AY-2-150	150	32	32	50	15	14"	10"	8

Rated Wattage	Light Source / Voltage	Remote or Integral Ballast	Indoor or Outdoor	Finish	Cord	Mounting	Globe & Guard Options	Additional Accessories
Incandecce								
Comes with 1/2" #30 Medium Base Socket (see Sockets for Specifications) 120V						Stem Mount: Choose 4' of Factory Pre-Wired Leads For Use With 1/2" Stem or Gooseneck Mounting in Wet & Indoor Locations (WL = Wire Leads)	Globe Required for Outdoor Locations	
Compact Fluorescent = CF								
13 18 26 32 42		INT = Integral Ballast (120V) REM = Remote Ballast (120-277V)					Standard Clear Globe = AVX100GL or AVX200GL	
High Pressure Sodium = HPS								
35 50		Remote Ballast Required 35W = 120V 50W = 120/208/240/277V (MT)	Indoor = SCE Outdoor = RTE (for Remote Ballasts)	White = 0 Black = 1 Blue = 2 Green = 3 Dark Bronze = 4 Yellow = 5 Red = 6 Galvanized = 8 Painted Chrome = 10 Satin Copper = 11 Satin Nickel = 12 Painted Copper = 15 Unfinished = 22		Ceiling Mount Choose 4' of White or Black Cord. A Ceiling Canopy is Required. Use ACN-001 Black Cord = BC White Cord = WC (Custom Cord Length Available)	Standard Clear Globe & Guard = AVX100DG or AVX200DG	
LED Remote Ballast Required								
12 15		3K 4K 6K	For Outdoor a Globe is Required (see Globes & Guards)				(AVX200 for 42PL, 50MH, 70HPS, 100HPS, 150HPS)	Ceiling Canopy: ACN001
Metal Halide = MH								
50		Globe Required (see Globes and Guards for Options and Accessories) Remote Ballast Required 50W = 120/208/240/277V (MT) The 50W Metal Halide option can be with a MP Socket or Medium Base Socket MP = Open Rated (No Globe Allowed) Medium Base (Globe Required) The 50W Metal Halide options are with MP Socket Only					(see Globes and Guards for Globe Colors and Specifications)	(see Accessories for more options)

Sample Order	Fixture	LED	Indoor / Outdoor	Finish	Cord	Mounting	Globe/Guard	Accessories
	AY2-15W LED	15W	664ERT	5	WC			