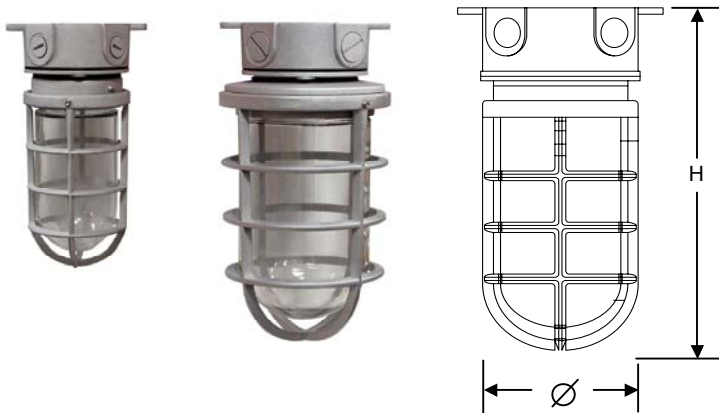


PRODUCT FEATURES

IDEAL FOR PARKING AREAS, ENTRANCES, WALKWAYS, UNDERPASSES, LOADING DOCKS, RECREATION AREAS.

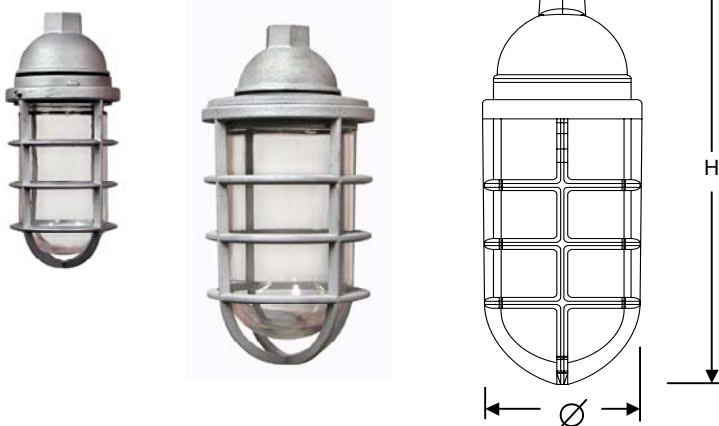
UL LISTED FOR WET LOCATIONS, *HEAVY DUTY DIE-CAST ALUMINUM HOUSING AND SCREW-ON GUARD. TEMPERED CLEAR GLASS GLOBE. WEATHER PROOF BOX 1/2" OR 3/4" NPT INCLUDED IN AVB AND THE AVW STYLE. GRAY COLOR, 4KV PORCELAIN MEDIUM BASE SOCKET FOR HID LAMP (IN REMOTE BOX ONLY).



CATALOG #	LAMPS	DIMENSIONS
AVB21-200	200W MAX	Ø 4.24" x 9.38"H
AVB21-26W	26W MAX	Ø 4.24" x 9.38"H
AVB31-300	300W MAX	Ø 5.58" x 11.38"H
AVB31-32W	32W MAX	Ø 5.58" x 11.38"H

FOR 3/4" K.O. ORDER AVB-23 OR AVB-33

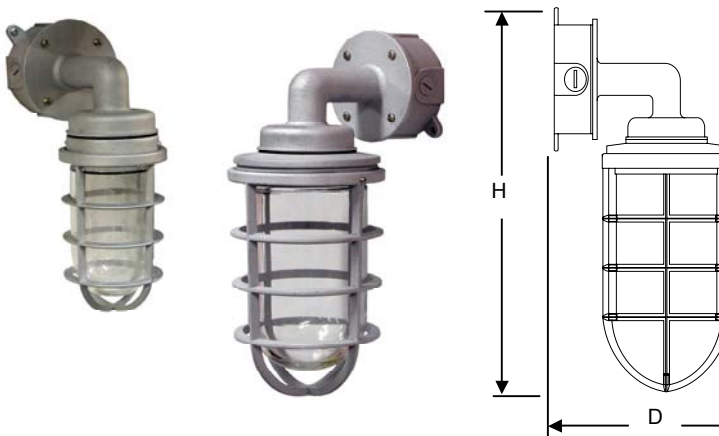
AVP-21 & AVP-31



CATALOG #	LAMPS	DIMENSIONS
AVP21-200	200W MAX	Ø 4.24" x 9.75"H
AVP21-26W	26W MAX	Ø 4.24" x 9.75"H
AVP31-300	300W MAX	Ø 5.58" x 11.5"H
AVP31-32W	32W MAX	Ø 5.58" x 11.5"H

FOR 3/4" K.O. ORDER AVP-23 OR AVP-33

AVW21 & AVW-31



CATALOG #	LAMPS	DIMENSIONS
AVW21-200	200W MAX	4.24"W x 7.18"D x 12.5 "H
AVW21-26W	26W MAX	4.24"W x 7.18"D x 12.5 "H
AVW31-300	300W MAX	4.24"W x 7.5"D x 12.5 "H
AVW31-32W	32W MAX	4.24"W x 7.5"D x 12.5 "H

FOR 3/4" K.O. ORDER AVW-23 OR AVW-33