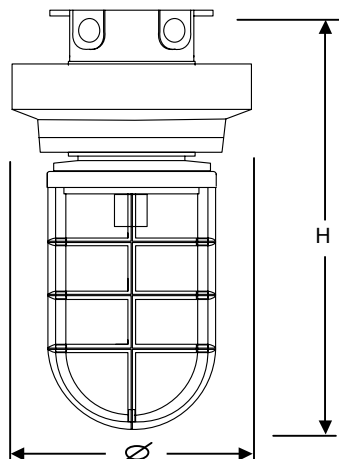


AVB-43

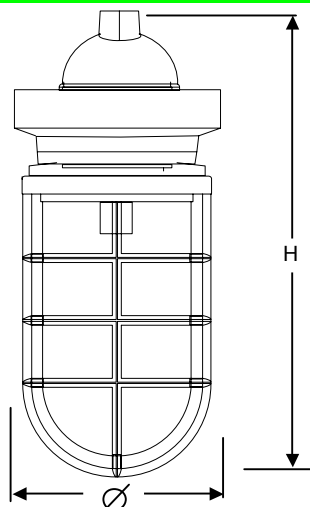


IDEAL FOR PARKING AREAS, ENTRANCES, WALKWAYS, UNDERPASSES, LOADING DOCKS, AND RECREATION AREAS .

UL LISTED FOR WET LOCATIONS , HEAVY DUTY DIE-CAST ALUMINUM HOUSING AND SCREW-ON GUARD. TEMPERED CLEAR GLASS GLOBE. WEATHER PROOF BOX 3/4" NPT INCLUDED IN AVB AND THE AVW STYLE . GRAY COLOR, 4KV PORCELAIN MEDIUM BASE SOCKET FOR HID LAMP

CATALOG #	LAMPS	DIMENSIONS
AVB43-70MH-MT	MH70	Ø 7.18" x 15"H
AVB43-150HPS	LU150	Ø 7.18" x 15"H
AVB43-42W	PL42	Ø 7.18" x 15"H

AVP-43

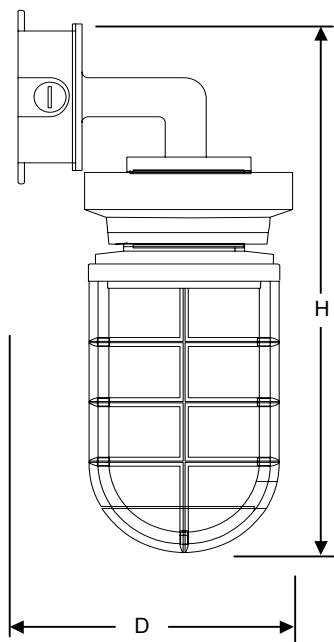


BALLAST:

FLUORESCENT 26 TO 42W 120V OR 277V
 METAL HALIDE 35W TO 70W 120/208/240/277V
 HIGH PRESSURE SODIUM 35W TO 150W 120V/277V
 (BALLAST INSIDE THE BOX)
 {sample order: AVB31-26F-120V}

CATALOG #	LAMPS	DIMENSIONS
AVP43-70MH-MT	MH70	Ø 7.18" x 14.75"H
AVP43-150HPS	LU150	Ø 7.18" x 14.75"H
AVP43-42W	PL42	Ø 7.18" x 14.75"H

AVW-43



FINISH:

TEXTURED GRAY STANDARD.
 OTHER COLORS AVAILABLE (CONSULT FACTORY)

GLOBES:

AMBER, BLUE, GREEN, FROSTED, OPAL , RED, RIBBED,
 (in Glass or Polycarbonate)
 Suitable for wet locations

CATALOG #	LAMPS	DIMENSIONS
AVW43-70MH-MT	MH70	7.18"W 18.25"H 7.78"D
AVW43-150HPS	LU150	7.18"W 18.25"H 7.78"D
AVW43-42W	PL42	7.18"W 18.25"H 7.78"D