

# ASML-757-U



Utilizing a clean design formula the performance is appropriate for environments where elegance is required. With a strategic lens providing various light distributions along with newest generation of LED module, this fixture is sufficient to provide the desired illumination when required. Ideally used for illumination of walkways, parking lots, and other public places. This unit is uniquely designed with front hinged door frame for easy maintenance and it's own J-box for thru-wiring.



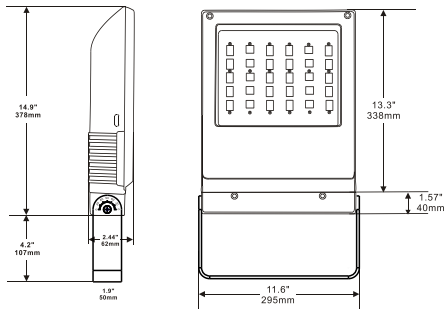
Optional photo control



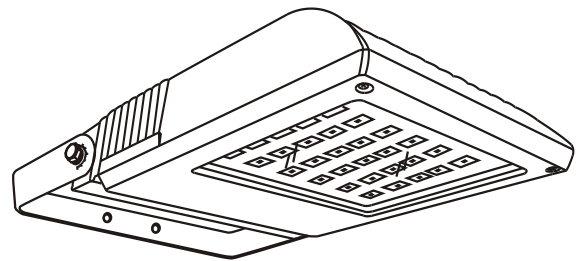
Thru Wiring

Optional now in 3000K\*/4000K\*/5500K\*

## Dimensions



## Line Drawing



## Features

- IP65
- Solid construction die-cast aluminum body
- UV stabilized power coated finish
- UL and CUL listed for wet locations

- Front hinged door frame
- Versatile mounting choices
- Optional optical lenses available
- Finish – Bronze

## Specification

Model No.	System watts	Lumen Output	Color	MA	Input Voltage	CRI	Starting Temp	Equivalent
ASML-757-U	60	4164lm**	4700K	500MA	120~277V	70+	-40°C	200W MH

\* Different colors are available with 4 week lead time.

\*\*DISCLAIMER: This test report was produced in accordance with IES LM-79 photometric testing protocol for luminaires, using a single representative test fixture. Actual production units may vary from the values reported here by up to ±10%.

Powered by CREE LED

