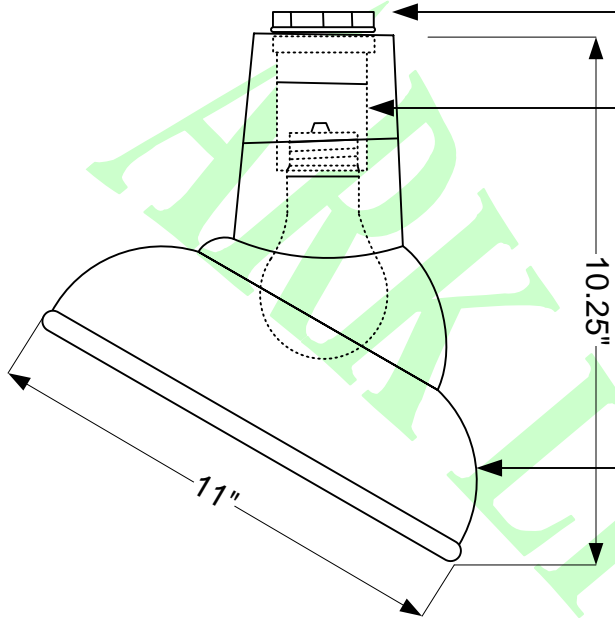




# AA-11-E

## 11" ROUND ANGLE REFLECTOR 200W Max. INC



COVER NUT. Die cast aluminum with 1/2" N.P.T. or 3/4" N.P.T. accepts conduit pipe or cord strain relief.

SOCKET. Two-piece heavy duty ceramic medium base socket.

SHADE. Heavy gauge cold rolled steel and coated with genuine powder or electro plating. Galvanized finish is hot zinc dip.

### ACCESORIES AND OTHER OPTIONS

- Wireguard
- 26W & 32W Fluorescent (ballast mounted inside the neck)[must have globe if used outdoor]
- 50 to 150W High pressure sodium (remote ballast)[must have globe if used outdoor]
- 35 to 175W Metal halide (remote ballast)[use MP rated lamp for outdoor]

### FINISHES

0=white, 1=black, 2=blue, 3=green, 4=dark bronze, 5=yellow, 6=red, 8=galvanized, 10=unfinish, 11=sa copper, 12=satin aluminum, 15=painted 20=sld copper & 21=sld brass

**MUST BE INSTALLED BY A QUALIFIED ELECTRICIAN**

ETL LISTED FOR WET LOCATION

