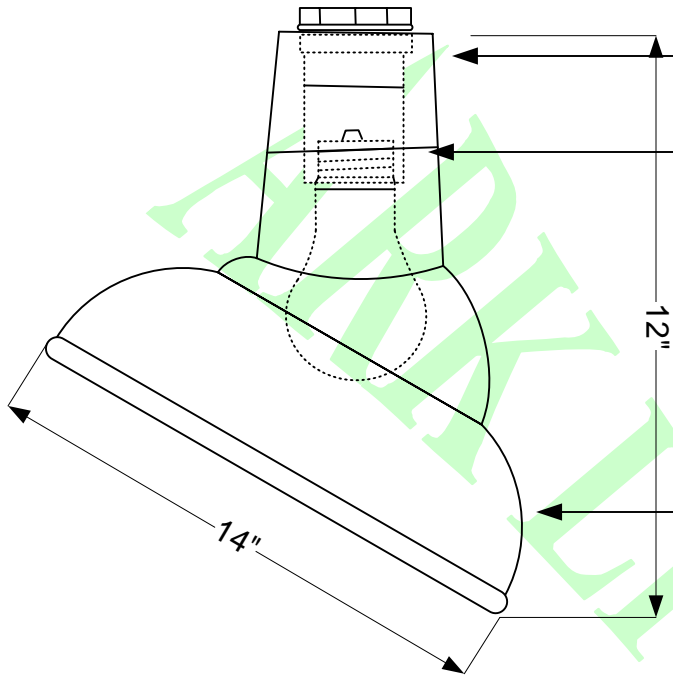




AA-14-E

14" ROUND ANGLE REFLECTOR 200W Max. INC



COVER NUT. Die cast aluminum with 1/2" N.P.T. or 3/4" N.P.T. accepts conduit pipe or cord strain relief.

SOCKET. Two-piece heavy duty ceramic medium base socket.

SHADE. Heavy gauge cold rolled steel and coated with genuine powder or electro plating. Galvanized finish is hot zinc dip.

ACCESORIES AND OTHER OPTIONS

- Wireguard
- 26W & 32W Fluorescent (ballast mounted inside the neck)[must have globe if used outdoor]
- 50 to 150W High pressure sodium (remote ballast)[must have globe if used outdoor]
- 35 to 175W Metal halide (remote ballast)[use MP rated lamp for outdoor]

FINISHES

0=white, 1=black, 2=blue, 3=green, 4=dark bronze, 5=yellow, 6=red, 8=galvanized, 10=unfinish, 11=sa copper, 12=satin aluminum, 15=painted 20=sld copper & 21=sld brass

MUST BE INSTALLED BY A QUALIFIED ELECTRICIAN

ETL LISTED FOR WET LOCATION

