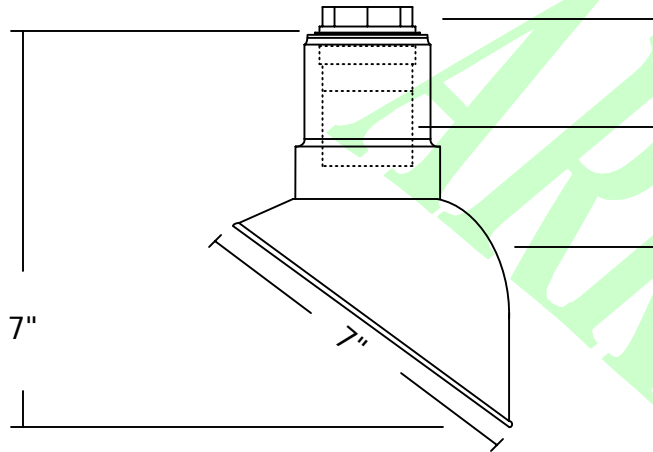




# AA-7

## 7" ANGLE REFLECTOR 100W Max. INCANDESCENT



COVER NUT. Die cast aluminum with 1/2" N.P.T. or 3/4" N.P.T. accepts conduit pipe or cord strain relief.

SOCKET. Two-piece heavy duty ceramic medium base socket.

SHADE. Heavy gauge cold rolled steel and coated with genuine powder or electro plating. Galvanized finish is hot zinc dip. (Also available in solid copper)

### ACCESSORIES AND OTHER OPTIONS

- Wireguard, globe & guard
- 26W & 32W Fluorescent 120V (ballast mounted inside the neck, globe option is required for outdoor use)
- 35 to 100W High pressure sodium (remote ballast, globe option is required for outdoor use)
- 50 to 100W Metal halide (remote ballast, globe option is required or use MP rated lamp for open fixture)

### FINISHES

0=white, 1=black, 2=blue, 3=green, 4=dark bronze, 5=yellow, 6=red, 8=galvanized, 10=unfinish, 11=sa copper, 12=satin aluminum, 15=painted 20=sld copper & 21=sld brass

MUST BE INSTALLED BY A QUALIFIED ELECTRICIAN

ETL LISTED FOR WET LOCATION

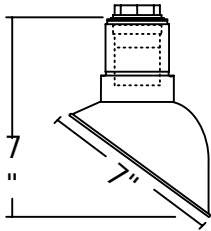




L I G H T I N G

AA-7

7" ANGLE REFLECTOR 100W Max. INCANDESCENT



COVER NUT. Die cast aluminum with 1/2" N.P.T. or 3/4" N.P.T. accepts conduit pipe or cord strain relief.

SOCKET. Two-piece heavy duty ceramic medium base socket.

SHADE. Heavy gauge cold rolled steel, zinc plate and coated with genuine powder or electro plating. Galvanized finish is hot zinc dip.

<p><u>Incandescent</u></p> <input type="checkbox"/> 100W	<p><u>Hub Size</u></p> <input type="checkbox"/> 1/2" <input type="checkbox"/> 3/4"	<p><u>Ball Aligner for stem mount</u>  <u>Slope Ceiling 3/4" hub w/ 1/2" reducer</u></p> <input type="checkbox"/> ACN002 (Round) <input type="checkbox"/> ACN003 (Square)	<p><u>Colors &amp; Finishes</u></p> <table border="0"> <tr><td><input type="checkbox"/></td><td>0</td><td>White</td></tr> <tr><td><input type="checkbox"/></td><td>1</td><td>Black</td></tr> <tr><td><input type="checkbox"/></td><td>2</td><td>Blue</td></tr> <tr><td><input type="checkbox"/></td><td>3</td><td>Green</td></tr> <tr><td><input type="checkbox"/></td><td>4</td><td>Dark Bronze</td></tr> <tr><td><input type="checkbox"/></td><td>5</td><td>Yellow</td></tr> <tr><td><input type="checkbox"/></td><td>6</td><td>Red</td></tr> <tr><td><input type="checkbox"/></td><td>7</td><td>Yellow Zinc</td></tr> <tr><td><input type="checkbox"/></td><td>8</td><td>Galvanized</td></tr> <tr><td><input type="checkbox"/></td><td>10</td><td>Painted Chrome</td></tr> <tr><td><input type="checkbox"/></td><td>11</td><td>Satin Copper</td></tr> <tr><td><input type="checkbox"/></td><td>12</td><td>Satin Nickel</td></tr> <tr><td><input type="checkbox"/></td><td>15</td><td>Painted Copper</td></tr> <tr><td><input type="checkbox"/></td><td>20</td><td>Solid Copper</td></tr> <tr><td><input type="checkbox"/></td><td>21</td><td>Solid Brass</td></tr> <tr><td><input type="checkbox"/></td><td>22</td><td>Unfinished</td></tr> </table>	<input type="checkbox"/>	0	White	<input type="checkbox"/>	1	Black	<input type="checkbox"/>	2	Blue	<input type="checkbox"/>	3	Green	<input type="checkbox"/>	4	Dark Bronze	<input type="checkbox"/>	5	Yellow	<input type="checkbox"/>	6	Red	<input type="checkbox"/>	7	Yellow Zinc	<input type="checkbox"/>	8	Galvanized	<input type="checkbox"/>	10	Painted Chrome	<input type="checkbox"/>	11	Satin Copper	<input type="checkbox"/>	12	Satin Nickel	<input type="checkbox"/>	15	Painted Copper	<input type="checkbox"/>	20	Solid Copper	<input type="checkbox"/>	21	Solid Brass	<input type="checkbox"/>	22	Unfinished
<input type="checkbox"/>	0	White																																																	
<input type="checkbox"/>	1	Black																																																	
<input type="checkbox"/>	2	Blue																																																	
<input type="checkbox"/>	3	Green																																																	
<input type="checkbox"/>	4	Dark Bronze																																																	
<input type="checkbox"/>	5	Yellow																																																	
<input type="checkbox"/>	6	Red																																																	
<input type="checkbox"/>	7	Yellow Zinc																																																	
<input type="checkbox"/>	8	Galvanized																																																	
<input type="checkbox"/>	10	Painted Chrome																																																	
<input type="checkbox"/>	11	Satin Copper																																																	
<input type="checkbox"/>	12	Satin Nickel																																																	
<input type="checkbox"/>	15	Painted Copper																																																	
<input type="checkbox"/>	20	Solid Copper																																																	
<input type="checkbox"/>	21	Solid Brass																																																	
<input type="checkbox"/>	22	Unfinished																																																	
<p><u>Intregal Ballast.</u>  <u>Globe is required for wet location.</u></p> <input type="checkbox"/> 13CF-120 <input type="checkbox"/> 18CF-120 <input type="checkbox"/> 26CFT-120 <input type="checkbox"/> 32CFT-120	<p><u>Mounting Options</u></p> <input type="checkbox"/> stem _____ " Length	<p><u>HD box cover for stem mount</u>  <u>Flat Ceiling</u></p> <input type="checkbox"/> ACN009 (1/2) <input type="checkbox"/> ACN010 (3/4)	<p><u>Accessories</u>  <u>Colored Cap</u>  <input type="checkbox"/> ACC-002  <u>Wireguard</u>  <input type="checkbox"/> AG107       </p>																																																
<p><u>Remote ballast.</u>  <u>Globe is required for wet location.</u></p> <input type="checkbox"/> 26CFT-UNV <input type="checkbox"/> 32CFT-UNV	<p><u>Gooseneck w/ HD box wall plate</u></p> <input type="checkbox"/> AGB24-ELW <input type="checkbox"/> AGB101 <input type="checkbox"/> AGB101-48L <input type="checkbox"/> AGB102 <input type="checkbox"/> AGB103 <input type="checkbox"/> AGB104 <input type="checkbox"/> AGB105 <input type="checkbox"/> AGB106 <input type="checkbox"/> AGB110 <input type="checkbox"/> AGB111 <input type="checkbox"/> AGB110 <input type="checkbox"/> AGB111 <input type="checkbox"/> AGB141 <input type="checkbox"/> AGB1535	<p><u>Globe &amp; Guard</u></p> <input type="checkbox"/> AVX100DG Clear globe & guard <input type="checkbox"/> AVX100GL Clear globe <input type="checkbox"/> AVX100GLO Frost globe <input type="checkbox"/> AVX100PRIS Prismatic Globe																																																	
<p><u>Remote ballast.</u>  <u>Globe is required for wet location.</u></p> <input type="checkbox"/> 35W HPS <input type="checkbox"/> 50W HPS <input type="checkbox"/> 70W HPS <input type="checkbox"/> 100W HPS	<p><u>Wall bracket w/ ballast box</u></p> <input type="checkbox"/> AGB204-WM	<p><u>Remote box</u></p> <input type="checkbox"/> Indoor <input type="checkbox"/> Outdoor																																																	
<p><u>Remote ballast.</u>  <u>Globe is required for wet &amp; dry location or open fixture with MP socket.</u></p> <input type="checkbox"/> 50W MH	<p><u>Wall bracket</u></p> <input type="checkbox"/> AWM-207																																																		
<p><u>Remote ballast.</u>  <u>Open fixture only</u></p> <input type="checkbox"/> 70W MH <input type="checkbox"/> 100W MH	<p><u>Pole mount</u>          (specify slip fitter size)</p> <input type="checkbox"/> APB201 <input type="checkbox"/> APB202 <input type="checkbox"/> APB203 <input type="checkbox"/> APB204 <input type="checkbox"/> APB206 <input type="checkbox"/> APB207-2X <input type="checkbox"/> 2" slip fitter <input type="checkbox"/> 3" slip fitter																																																		

JOBNAME: \_\_\_\_\_

SPECIFIER: \_\_\_\_\_

