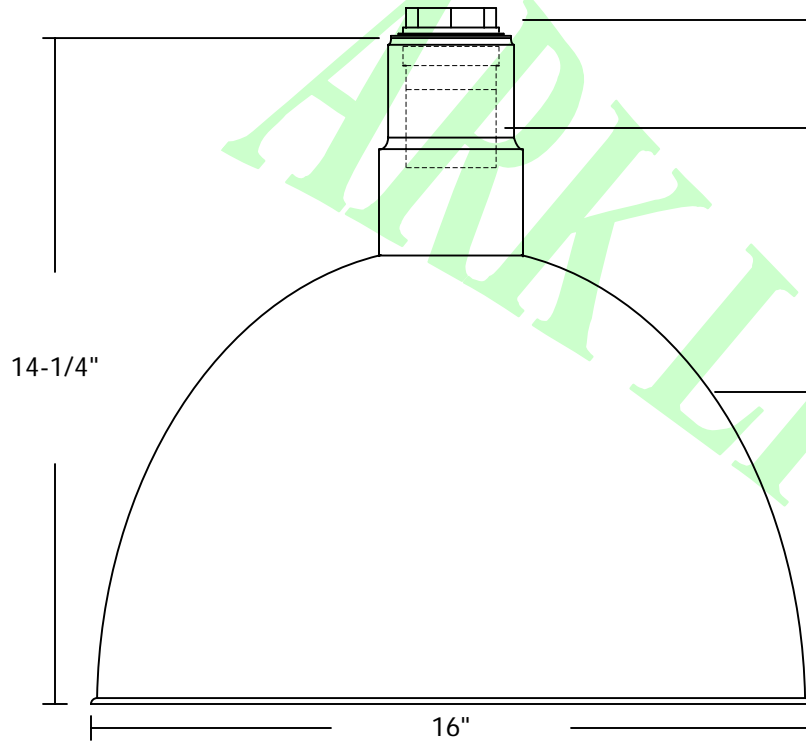




# AD-16

## 16" DEEP BOWL 200W Max. INC



COVER NUT. Die cast aluminum with 1/2" N.P.T. or 3/4" N.P.T. accepts conduit pipe, gooseneck or cord strain relief.

SOCKET. Two-piece heavy duty ceramic medium base socket.

SHADE. Heavy gauge cold rolled steel, zinc anodized and coated with genuine powder or electro plating. Galvanized finish is hot zinc dip. (Also available in solid copper)

Turned in bead to prevents collection of dirt and water rest.

### ACCESSORIES AND OTHER OPTIONS

- Wireguard, globe & guard
  - 26W, 32W, & 42W Fluorescent (ballast mounted inside the neck, globe option is required for outdoor use)
  - 35 to 150W High pressure sodium (remote ballast, globe option is required for outdoor use)
  - 50 to 175W Metal halide (remote ballast, globe option is required or use MP rated lamp for open fixture)
- NOTE: 42W CF, 150W HPS, 150W MH & 175W MH option must use large globe

### FINISHES

0=white, 1=black, 2=blue, 3=green, 4=dark bronze, 5=yellow, 6=red, 8=galvanized, 10=unfinish, 11=sa copper, 12=satin aluminum, 15=painted 20=sld copper & 21=sld brass

MUST BE INSTALLED BY A QUALIFIED ELECTRICIAN



ETL LISTED FOR WET LOCATION

1435 West 139<sup>TH</sup> Street Gardena, CA 90249 Tel: 310-323-2275 Fax: 310-323-6275

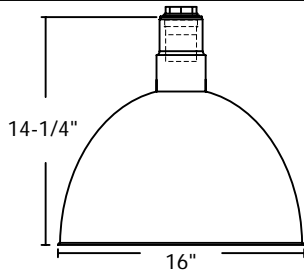
Website :[www.arklighting.com](http://www.arklighting.com) Email :[info@arklighting.com](mailto:info@arklighting.com)



ARK  
LIGHTING

# AD-16

16" DEEP BOWL 200W MAX. INCANDESCENT



**COVER NUT.** Die cast aluminum with 1/2" N.P.T. or 3/4" N.P.T. accepts conduit pipe or cord strain relief.

**SOCKET.** Two-piece heavy duty ceramic medium base socket.

**SHADE.** Heavy gauge cold rolled steel and coated with genuine powder or electro plating. Galvanized finish is hot zinc dip.

<p><u>Incandescent</u></p> <input type="checkbox"/> 200W	<p><u>Hub Size</u></p> <input type="checkbox"/> 1/2" <input type="checkbox"/> 3/4"	<p><u>Ball Aligner for stem mount</u>  <u>Slope Ceiling 3/4" hub w/ 1/2" reducer</u></p> <input type="checkbox"/> ACN002 (Round) <input type="checkbox"/> ACN003 (Square)	<p><u>Colors &amp; Finishes</u></p> <input type="checkbox"/> 0 White <input type="checkbox"/> 1 Black <input type="checkbox"/> 2 Blue <input type="checkbox"/> 3 Green <input type="checkbox"/> 4 Dark Bronze <input type="checkbox"/> 5 Yellow <input type="checkbox"/> 6 Red <input type="checkbox"/> 7 Yellow Zinc <input type="checkbox"/> 8 Galvanized <input type="checkbox"/> 10 Painted Chrome <input type="checkbox"/> 11 Satin Copper <input type="checkbox"/> 12 Satin Nickel <input type="checkbox"/> 15 Painted Copper <input type="checkbox"/> 20 Solid Copper <input type="checkbox"/> 21 Solid Brass <input type="checkbox"/> 22 Unfinished
<p><u>Intregal Ballast.</u>  <u>Globe is required for wet location.</u></p> <input type="checkbox"/> 13CF-120 <input type="checkbox"/> 18CF-120 <input type="checkbox"/> 26CFT-120 <input type="checkbox"/> 32CFT-120	<p><u>Mounting Options</u></p> <p><u>Cord Mount</u></p> <input type="checkbox"/> P430 (4FT WHT cord) <input type="checkbox"/> P431 (4FT BLK cord) <input type="checkbox"/> " Specify Length <input type="checkbox"/> stem <input type="checkbox"/> " Length	<p><u>HD box cover for stem mount</u>  <u>Flat Ceiling</u></p> <input type="checkbox"/> ACN009 (1/2) <input type="checkbox"/> ACN010 (3/4)	<p><u>Accessories</u></p> <p><u>Colored Cap</u></p> <input type="checkbox"/> ACC-002 <p><u>Wireguard</u></p> <input type="checkbox"/> AG116
<p><u>Remote ballast.</u>  <u>Globe is required for wet location.</u></p> <input type="checkbox"/> 26CFT-UNV <input type="checkbox"/> 32CFT-UNV <input type="checkbox"/> 42CFT-UNV	<p><u>Gooseneck w/ HD box wall plate</u></p> <input type="checkbox"/> AGB24-ELW <input type="checkbox"/> AGB101 <input type="checkbox"/> AGB101-48L <input type="checkbox"/> AGB102 <input type="checkbox"/> AGB103 <input type="checkbox"/> AGB104 <input type="checkbox"/> AGB105 <input type="checkbox"/> AGB106 <input type="checkbox"/> AGB107 <input type="checkbox"/> AGB110 <input type="checkbox"/> AGB111 <input type="checkbox"/> AGB141 <input type="checkbox"/> AGB1535	<p><u>Globe &amp; Guard</u></p> <input type="checkbox"/> AVX100DG Clear globe & guard <input type="checkbox"/> AVX100GL Clear globe <input type="checkbox"/> AVX100GLO Frost globe <input type="checkbox"/> AVX100PRIS Prismatic Globe	<p><u>Globe &amp; Guard</u>  <u>For 70 &amp; 100W HPS</u></p> <input type="checkbox"/> AVX200DG Clear globe & guard <input type="checkbox"/> AVX200GL Clear globe <input type="checkbox"/> AVX200GLO Frost globe <input type="checkbox"/> AVX200PRIS Prismatic Globe
<p><u>Remote ballast.</u>  <u>Globe is required for wet location.</u></p> <input type="checkbox"/> 35W HPS <input type="checkbox"/> 50W HPS <input type="checkbox"/> 70W HPS <input type="checkbox"/> 100W HPS <input type="checkbox"/> 150W HPS	<p><u>Wall bracket w/ ballast box</u></p> <input type="checkbox"/> AGB204-WM	<p><u>Globe &amp; Guard</u>  <u>For 70 &amp; 100W HPS</u></p> <input type="checkbox"/> AVX200DG Clear globe & guard <input type="checkbox"/> AVX200GL Clear globe <input type="checkbox"/> AVX200GLO Frost globe <input type="checkbox"/> AVX200PRIS Prismatic Globe	<p><u>Remote box</u></p> <input type="checkbox"/> Indoor <input type="checkbox"/> Outdoor
<p><u>Remote ballast.</u>  <u>Globe is required for wet &amp; dry location or open fixture with MP socket.</u></p> <input type="checkbox"/> 50W MH	<p><u>Wall bracket</u></p> <input type="checkbox"/> AWM-207	<p><u>Remote box</u></p> <input type="checkbox"/> Indoor <input type="checkbox"/> Outdoor	
<p><u>Remote ballast.</u>  <u>Open fixture only</u></p> <input type="checkbox"/> 70W MH <input type="checkbox"/> 100W MH <input type="checkbox"/> 150W MH	<p><u>Pole mount</u>  <u>(specify slip fitter size)</u></p> <input type="checkbox"/> APB201 <input type="checkbox"/> APB202 <input type="checkbox"/> APB203 <input type="checkbox"/> APB204 <input type="checkbox"/> APB206 <input type="checkbox"/> APB207-2X <input type="checkbox"/> 2" slip fitter <input type="checkbox"/> 3" slip fitter		

JOBNAME: \_\_\_\_\_

SPECIFIER: \_\_\_\_\_



1435 West 139th Street Gardena, CA 90249 Tel: 310-323-2275 Fax: 310-323-6275

Website :[www.arklighting.com](http://www.arklighting.com) Email :[info@arklighting.com](mailto:info@arklighting.com)