



AHB11-AR116 & DL

HIGH BAY 16" ACRYLIC REFLECTOR & DROP LENS

APPLICATIONS

FOR OVER 20' FOOT APPLICATIONS ,FACTORIES, MACHINES SHOPS WAREHOUSE, SPORTS ARENA AND LARGE RETAIL STORES.

SPECIFICATION FEATURE

UL LISTED FOR DAMP LOCATIONS

BALLAST HOUSING. HEAVY DUTY DIE-CAST ALUMINUM CONSTRUCTION , WHITE POWDER COAT FINISH

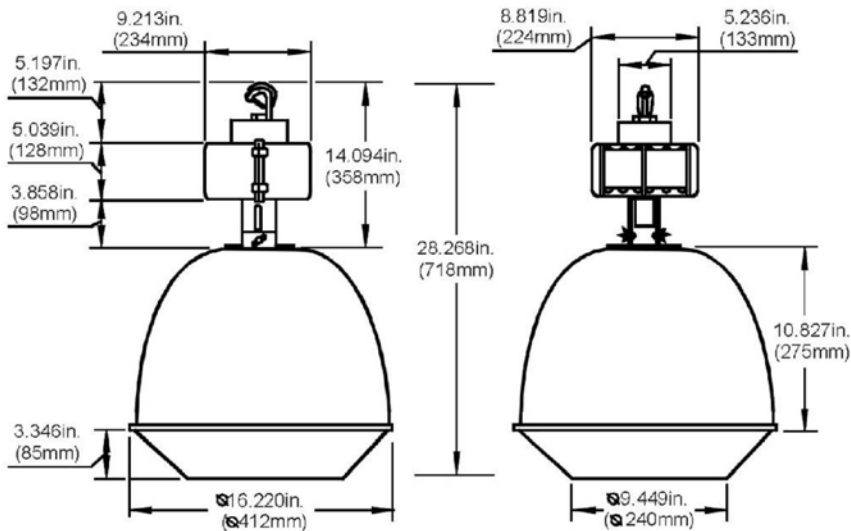
SOCKET. PORCELAIN MOGUL BASE SOCKET-E39 STANDARD ,UL APPROVED

MOUNTING COMES WITH A HOOK FOR EASY MOUNTING , A 3/4" THREADED TOP OPENING TO A STEEL JUNCTION BOX FOR EXTEND PIPE OR A 3' CORD PLUG (ORDERED SEPARATELY)

BALLAST HIGH POWER FACTOR 60Hz BALLAST MULTI VOLTAGE 120/208/240/277V (CAN BE ORDER IN 480V OR PULSE-START METAL HALIDE)

REFRACTORS- 16" ADJUSTABLE ACRYLIC REFLECTOR

WATTS MAX IDEAL FOR100-400 MH OR100-400 HPS



FIXTURE PREFIX	WATTAGE	LIGHT	VOLTAGE	REFLECTOR	ACCESSORIES & OPTION
AHB11	100	MH=METAL HALIDE	MT=120/208/240/277V 480=480V	AR122=22" ACRYLIC	DL=DROP LENS
	175	MH=METAL HALIDE		AR116=16" ACRYLIC	FL=FLAT LENS
	250	MH=METAL HALIDE		AL122=22" ALUMINUM	CL=CONICAL LENS
	320	MH=METAL HALIDE PS		AL116=16" ALUMINUM	WG=WIRE GUARD
	400	MH=METAL HALIDE			A16310P-120=10' CORD NEMA 5-15P
	100	HPS=HIGH PRES SODIUM	A16330P-120=3' CORD NEMA 5-15P A16333P-240= 3' CORD NEMA L6-15 A1633P-277 3' CORD NEMA L715P APP-01=RIGID 1/2" DIA STEM QRS=120V RESTRIKE SOC & LAMP		
	150	HPS=HIGH PRES SODIUM			
	250	HPS=HIGH PRES SODIUM			
	400	HPS=HIGH PRES SODIUM			

EXAMPLE OF A TYPICAL ORDER

AHB11 400 MH MT AR116 DL

