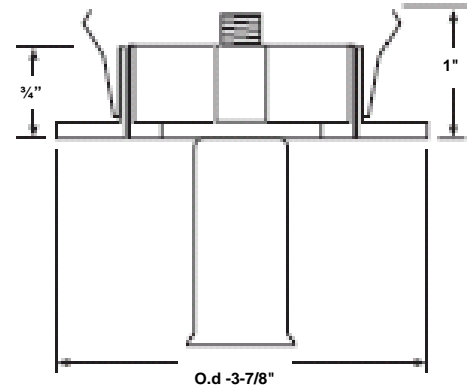


ARLV-4050MP ADJUSTABLE MONO-POINT



40" ADJUSTABLE



CATALOG #: ARLV-4050MP

FINISH: POLISHED BRASS ,CHROME ,SATIN ALUMINUM, SATIN COPPER

FIXTURE: ADJUSTABLE MONO POINT

OUTSIDE DIAMETER: CANOPY DIA. 3-7/8"

LAMPS: MR16 MR11 12V,50W MAX

SOCKET TYPE: BI-PIN, DOUBLE CONTACT BAYONET

CEILING CUT-OUT: 2-1/2"DIA

ALL LAMPS MUST HAVE COVER GLASS. AVAILABLE WITH VARIOUS STEM LENGTHS.
AVAILABLE WITH THE POWER PACK FOR TRACK LIGHTING (CALL FOR DETAILS)
(FOR CLASS 2 WIRING NO NEED FOR HOUSING)

