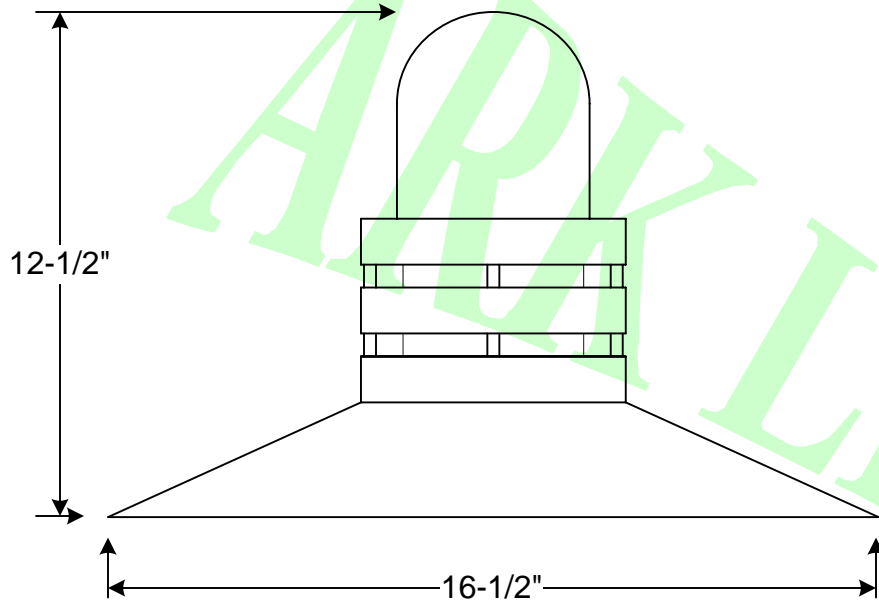




# AUL-16

## 16" RING REFLECTOR 150W Max. Incandescent



MOUNTING OPTION. 1/2" N.P.T. or 3/4" N.P.T. accepts conduit pipe, gooseneck or cord strain relief.

SHADE. Heavy gauge cold rolled steel, zinc anodized and coated with genuine powder or electro plating. Galvanized finish is hot zinc dip. (Also available in solid copper)

SOCKET. Vaporproof with clear glass globe and die cast guard.

Turned in bead to prevents collection of dirt and water rest.

### ACCESSORIES AND OTHER OPTIONS

- Wireguard
- 26W, & 32W 120V (ballast mounted inside the neck)
- 50 to 100W High pressure sodium (remote ballast)
- 35 to 100W Metal halide (remote ballast)

### FINISHES

0=white, 1=black, 2=blue, 3=green, 4=dark bronze, 5=yellow, 6=red, 8=galvanized, 10=unfinish, 11=sa copper, 12=satin aluminum, 15=painted 20=sld copper & 21=sld brass

MUST BE INSTALLED BY A QUALIFIED ELECTRICIAN

ETL LISTED FOR WET LOCATION



1435 West 139<sup>TH</sup> Street Gardena, CA 90249 Tel: 310-323-2275 Fax: 310-323-6275

Website :[www.arklighting.com](http://www.arklighting.com) Email :[info@arklighting.com](mailto:info@arklighting.com)