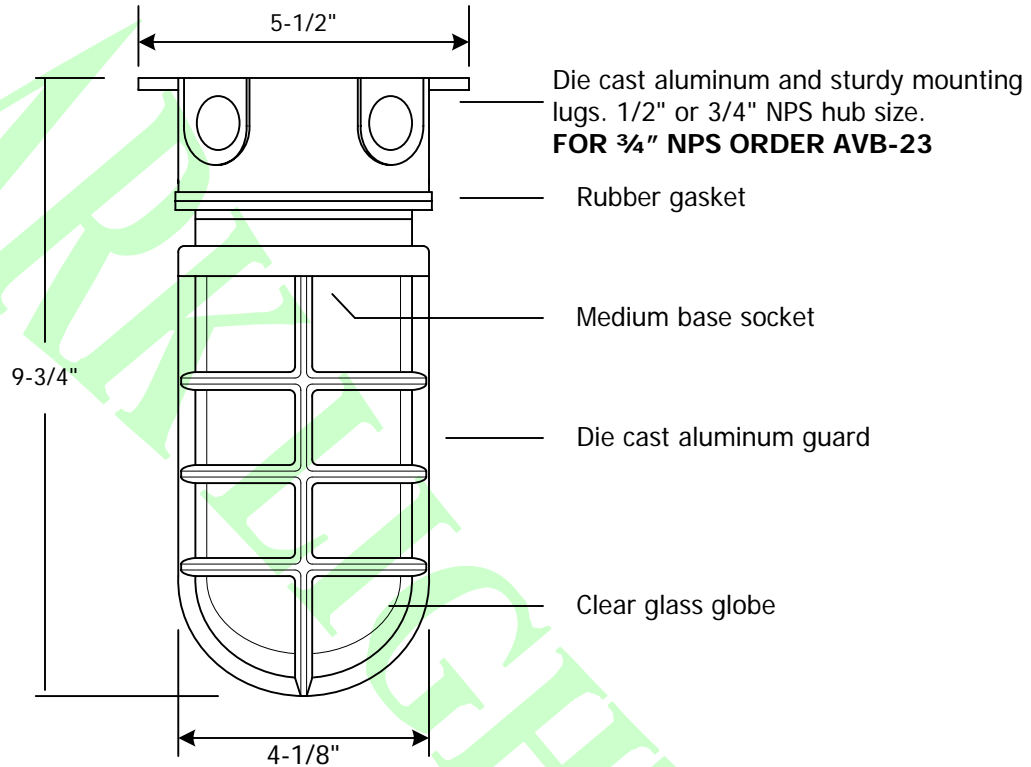




AVB21-120V



GLOBES:

Amber, Blue, Green, Frosted, Opal, Red, Ribbed, Opal Ball, (in Glass or Polycarbonate)

WATTAGE:

Clear Glass	200W incandescent
Colored Glass	100W incandescent
Polycarbonate	75W incandescent

BALLAST:

Fluorescent 7 to 32W 120V (ballast inside junction box)
Metal Halide 35 to 70W _____

SOCKETS:

Incandescent	Medium Base 600W 4KV
Fluorescent	GX24-Q
Metal Halide	Medium Base 600W 4KV

FINISH:

Textured gray standard.
Other colors available (consult factory)

Suitable for wet locations

