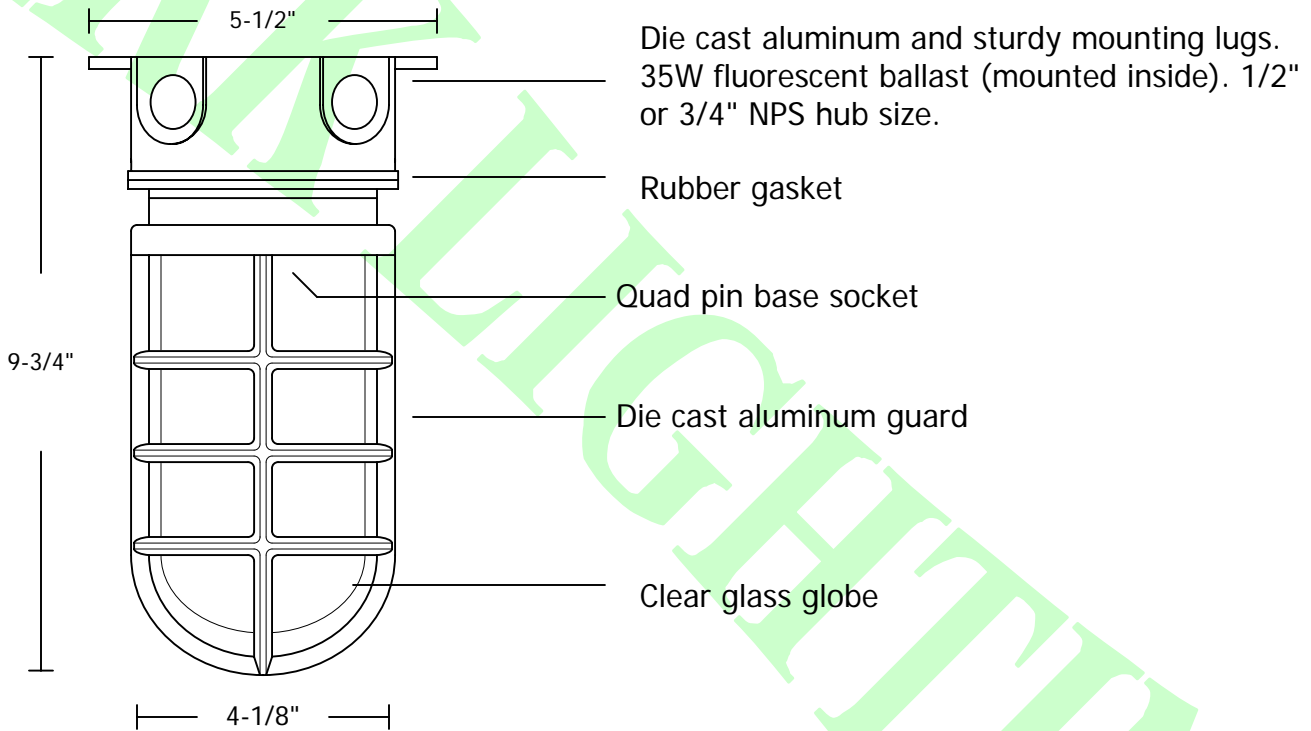




AVB21-F32-120V

VAPOR PROOF GLOBE AND GUARD SET W/UPTO 32W FLUORESCENT OPTION 120V, SURFACE MOUNT (CEILING)



TECHNICAL INFORMATION

Operating Voltage:	120 VAC 10%+
Frequency:	50/60 Hz
High Power Factor:	>.90
Ballast Min. Operating Temp.:	-20 F (-30 C)
Ballast Lamp Starting Mode:	Instant Start
Sound Rating:	-A

