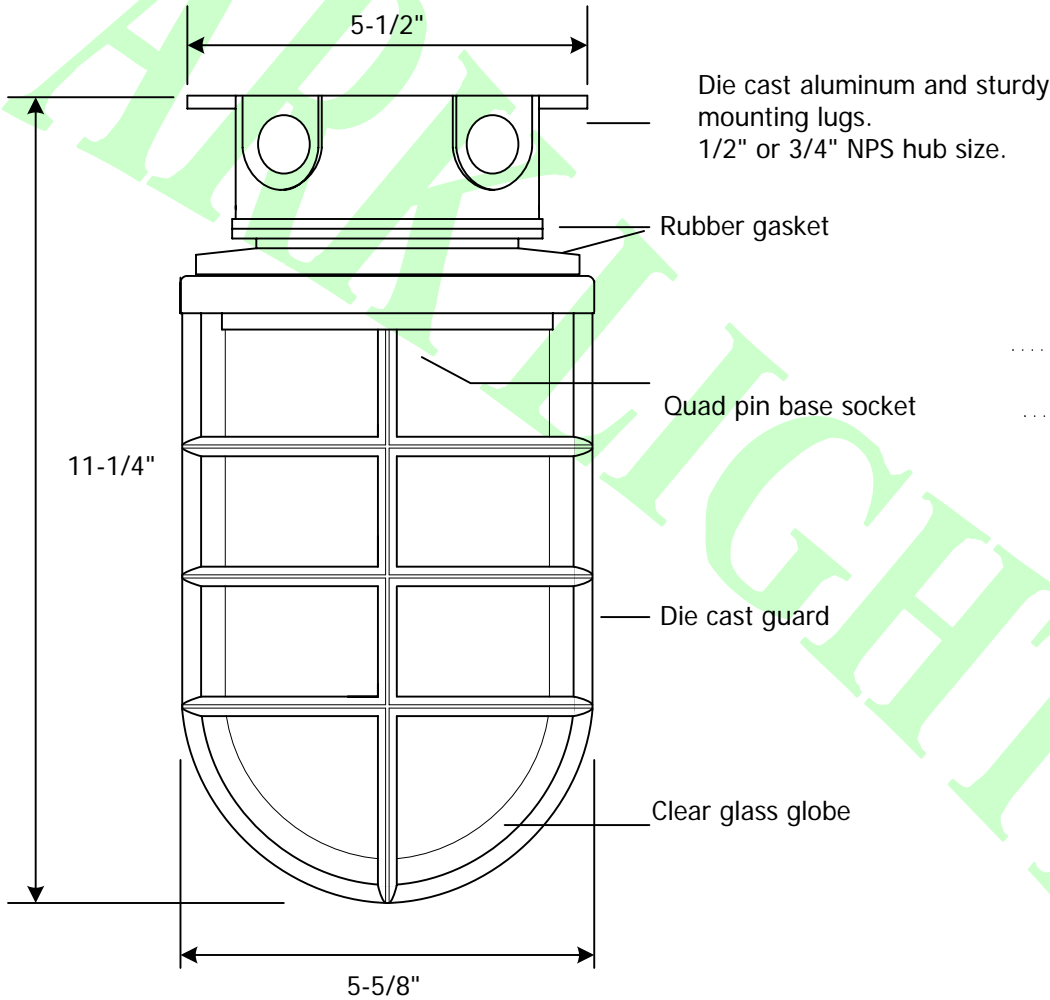




# AVB31-F42-120V



**GLOBES:**

Amber, Blue, Green, Frosted, Opal, Red, Ribbed, Opal Ball, (in Glass or Polycarbonate)

**WATTAGE:**

Clear Glass incandescent	300W
Colored Glass incandescent	200W
Polycarbonate incandescent	100W

**BALLAST:**

Fluorescent 7 to 42W 120V (ballast inside junction box)

{sample order: AVB31-26F-120V}  
Metal Halide 35 to 100W

**FINISH:**

Textured gray standard.  
Other colors available (consult factory)

Suitable for wet locations

