

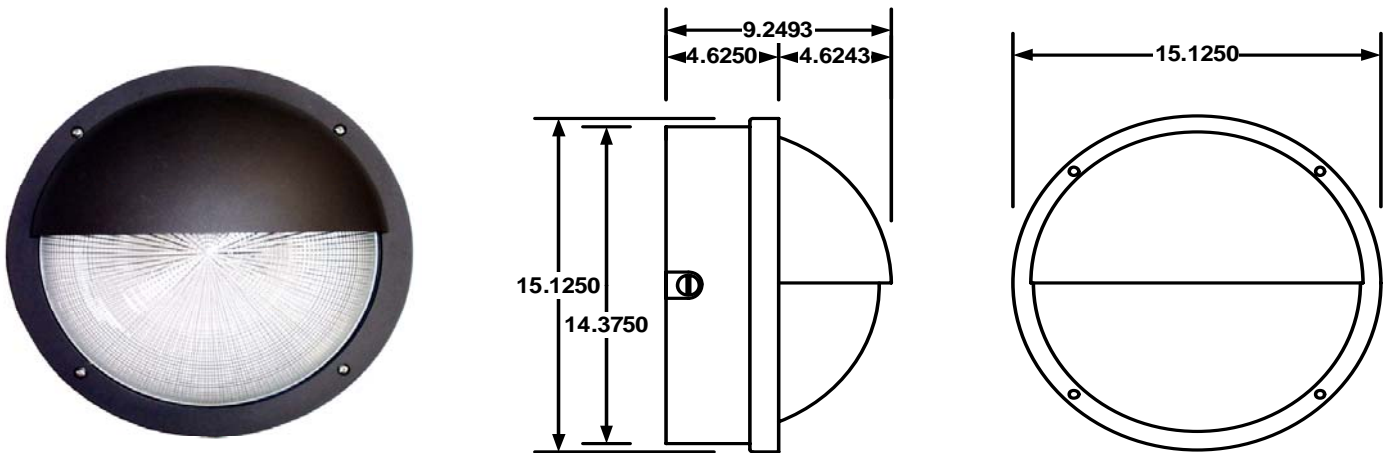


# AWPR-40HC WALL MOUNT

## PRODUCT FEATURES

15" DIAMETER DIE CAST SURFACE MOUNT HOUSING, CHROMATE CONVERSION COATING, COIN PLUGS ON SIDES AND BACK, BUILT-IN TEMPLATE FOR MOUNTING TO ELECTRICAL BOX, SILICONE GASKET, WHITE POWDER COAT ALUMINUM REFLECTOR, PORCELAIN MEDIUM BASE SOCKET WITH ADJUSTABLE SOCKET BRACKET FOR LAMP POSITIONING, AVAILABLE WITH EITHER CLEAR MOLDED PRISMATIC BOROSILICATE GLASS LENS , WITH OPEN, HALF-CUTOFF OR GRID-STYLE FRAME. AVAILABLE COLORS: BRONZE (BR), CUSTOM COLORS AVAILABLE AT ADDITIONAL CHARGE. ACCEPTS STANDARD 175W METAL HALIDE, 150W HIGH PRESSURE SODIUM. COMPACT FLUORESCENT MODELS AVAILABLE WIRED COMPLETE WITH PL 42 WATT SOCKETS AND LAMPS . UL LISTED FOR WET LOCATIONS.

**IDEAL FOR PARKING AREAS, ENTRANCES, WALKWAYS, UNDERPASSES, LOADING DOCKS, RECREATION AREAS.**



CATALOG #	RATING	LAMPS	DIMENSIONS
AWPR40HC-MH	175W MAX MT (SPECIFY WATTAGE)	METAL HALIDE	∅ 15" X 9.25"D
AWPR40HC-HPS	150W MAX MT (SPECIFY WATTAGE)	H.P.S	∅ 15" X 9.25"D
AWPR40HC-1PL42	42W MAX 120-277 (SPECIFY WATTAGE)	1-PL42	∅ 15" X 9.25"D
AWPR40HC-2PL42	84W MAX 120-277 (SPECIFY WATTAGE)	2-PL42	∅ 15" X 9.25"D

